



**The portable BroadWeigh Dongle Base Station offers line of sight range of up to 500 m and is ideal for use with laptops and tablets**

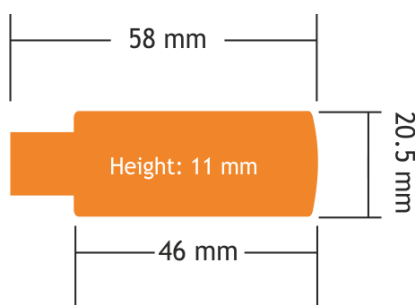
### Introduction

The BroadWeigh dongle base station (BW-BSd) is the smallest in our base station range and offers line of sight range of up to 500 metres for all BroadWeigh acquisition modules. It draws power from the USB bus and therefore no further components are required to configure and control remote devices from a PC.

This plug and play USB base station provides a portable solution, with no cables, making it ideal for laptops, tablets that run a full version of Windows.

### Specification at a Glance

- Provides wireless data acquisition to PC's from the BroadWeigh shackles
- Configures any BroadWeigh telemetry module via USB connection using BroadWeigh Toolkit software
- Powered from USB
- Up to 500 m (1640 ft) range
- IP50 rated enclosure

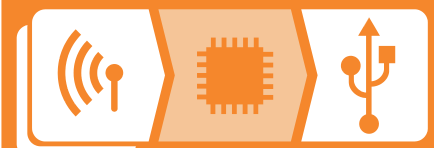


### User Benefits

- Portable device which is ideal for use with laptops and tablets
- Up to 500 m (1640 ft) range
- Simple plug & measure USB
- Configure the BroadWeigh range
- IP50 rated enclosure

### Ideal Applications

- Theatre & Events
- Outdoor Events
- Concerts
- Conferences / Trade Shows



## Related Products



**BW-BSue**  
Extended range wireless radio  
telemetry USB Base Station  
800m range



**BW-WSS**  
Wireless wind speed sensor



**BW-S325 & BW-S475 Shackles**  
BroadWeigh wireless  
Crosby Safety Bow Shackles



**BW-HR Handheld Wireless Display**  
LCD reading from an unlimited number  
of BroadWeigh shackles

## Related Software



**BW-AR**  
Active repeater to extend  
wireless range or coverage



**BW-Toolkit**  
Software used to calibrate and  
configure your devices



**BW-LOG100**  
Free data logging software package  
for advanced monitoring up to  
100 channels

## CE & Environmental

Storage temperature	- 40 to +85°C
Operating temperature	- 20 to +55°C
Relative humidity	95% maximum non condensing
IP Rating	IP50 (not USB plug end)

### CE Environmental Approvals

European EMC Directive	2014/30/EU
Low Voltage Directive	2014/35/EU

**For more information contact us today...**

Email: [info@broadweigh.com](mailto:info@broadweigh.com)  
Tel: +44 (0) 1395 232020  
[broadweigh.com](http://broadweigh.com)



In the interests of continued product development, Mantracourt Electronics Limited reserves the right to alter product specifications without prior notice